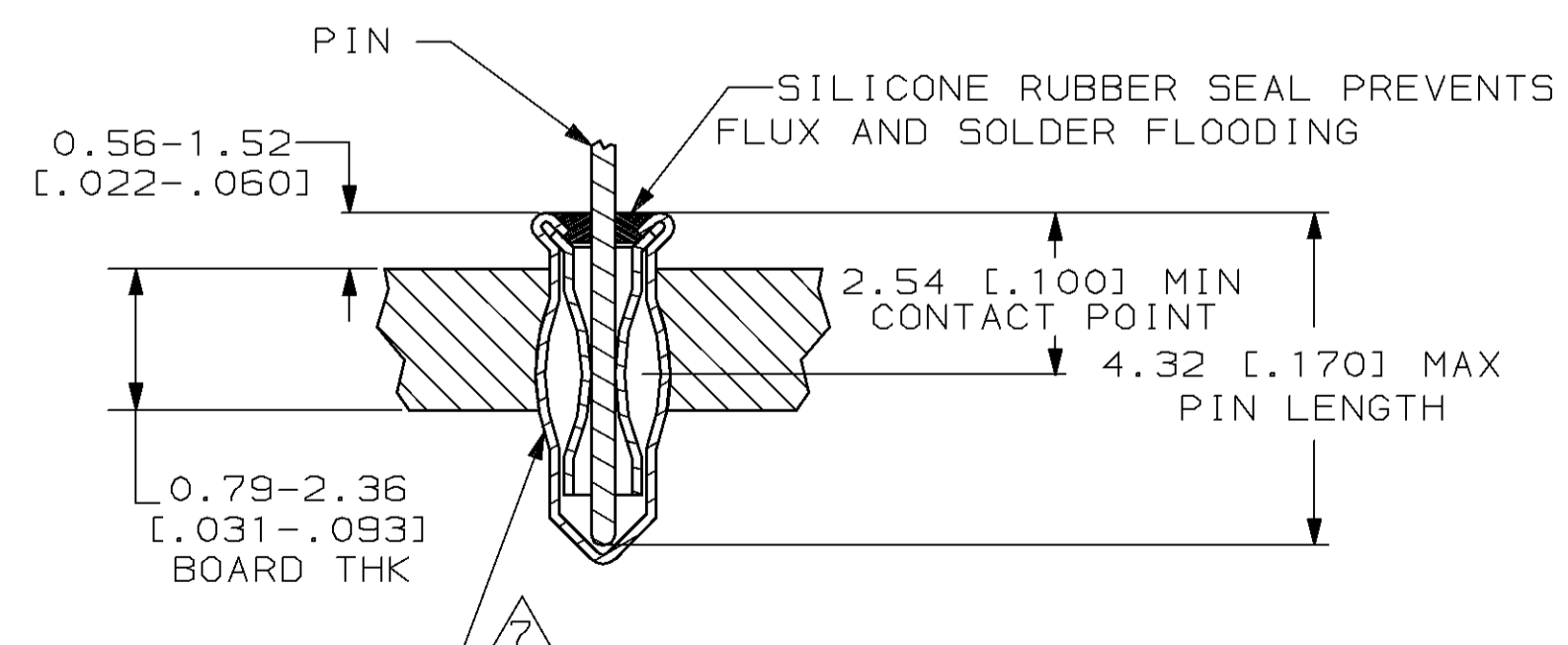
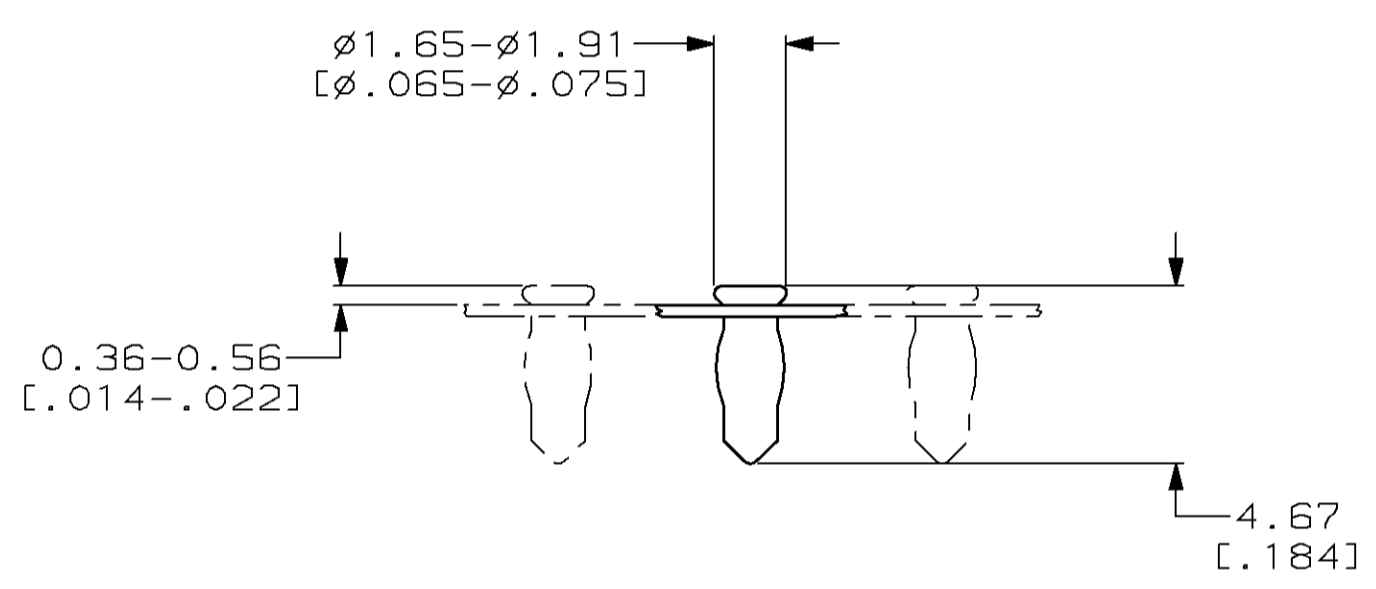
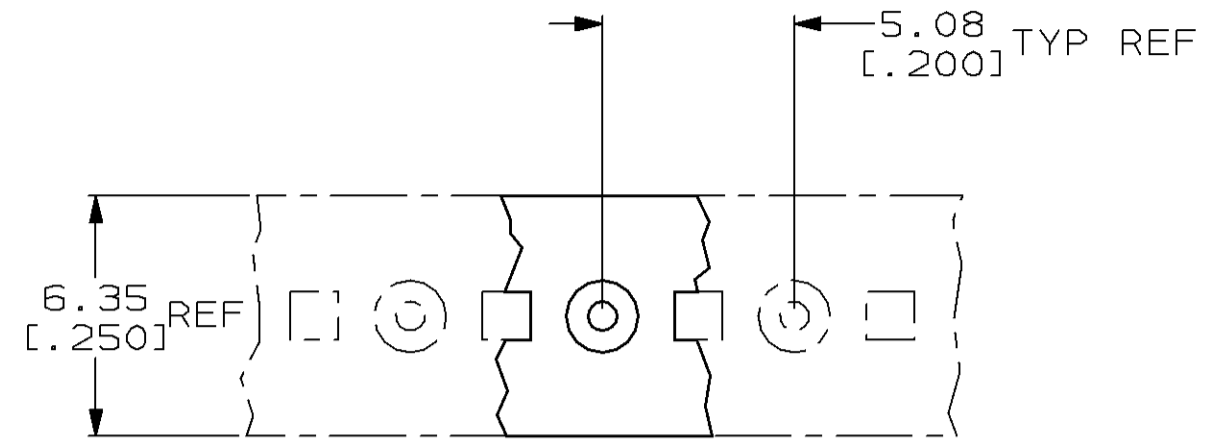


THIS DRAWING IS UNPUBLISHED. RELEASED FOR PUBLICATION, 19 .
 © COPYRIGHT 19 BY AMP INCORPORATED. ALL INTERNATIONAL RIGHTS RESERVED.

LOC	DIST	P	F	ZONE	LTR	REVISIONS	DATE	APPD
AG	53				J	REDWN & REV PER 0160-3551-93	5-3-94	WS



- 1 MATERIAL:
EYELET - COPPER (QQ-C-576)
SPRING - BERYLLIUM COPPER (QQ-C-533)
SEALANT - SILICONE RUBBER
- 2 TIN PLATE (MIL-T-10727) 0.00381 [.000150] MIN THK.
- 3 TIN PLATE (MIL-T-10727) 0.00254 [.000100] MIN THK.
- 4 GOLD PL (MIL-G-45204) 0.00076 [.000030] MIN THK ON CONTACT AREA.
- 5 PACKAGED 50,000 PER REEL
- 6 TO INSURE 1/2 OZ MIN RETENTION DO NOT EXCEED 0.10 [.004] DIFFERENCE IN PIN DIA WHEN CHANGING TO A SMALLER DIA PIN
- 7 PRODUCT IS OVALIZED FOR RETENTION IN THE P.C. BOARD. THE RECOMMENDED HOLE DIAMETER IS 1.32 [0.052] MINIMUM, +0.08 [.003] MAX. PRIOR TO SOLDERING.
- 8 TIN-LEAD PLATE 0.00381 [.000150] MIN THK.
- 9 PACKAGED 10,000 PER REEL

2.54-4.32 [.100-.170]	0.36-0.66 [0.014-0.026]	GOLD 4	TIN 2	9	1-645955-2
2.54-4.32 [.100-.170]	0.36-0.66 [0.014-0.026]	TIN 3	TIN 2	9	1-645955-1
2.54-4.32 [.100-.170]	0.36-0.66 [0.014-0.026]	GOLD 4	TIN 8	5	645955-3
2.54-4.32 [.100-.170]	0.36-0.66 [0.014-0.026]	GOLD 4	TIN 2	5	645955-2
2.54-4.32 [.100-.170]	0.36-0.66 [0.014-0.026]	TIN 3	TIN 2	5	645955-1
LENGTH	DIA	FINISH		PART NO	

DO NOT SCALE PRINT. UNLESS SPECIFIED DIMENSIONS IN mm [INCHES] TOLERANCES ON: 2 PLC DEC ± - 3 PLC DEC ± 0.20 [.008] ANGLES ± -	DR 12-20-82 M.BOWERS	AMP Incorporated Harrisburg, PA 17105-3608		
	CHK 6-10-85 P.MUTZABAUGH			
MATERIAL 1	APPD 6-10-85 G.D.MILLER	NAME MINIATURE SPRING SOCKET ASSY SERIES 2 LONG WITH SEALANT		
	APPD 6-10-85 ER.RALSTON	PRODUCT SPEC -		
FINISH SEE TABLE	APPLICATION SPEC 114-26004	SIZE C	CAGE CODE 00779	DRAWING NO G=645955
	WEIGHT -	SCALE NTS	SHEET 1 OF 1	

THIS DRAWING IS A CONTROLLED DOCUMENT FOR AMP INCORPORATED. IT IS SUBJECT TO CHANGE AND THE CONTROLLING ENGINEERING ORGANIZATION SHOULD BE CONTACTED FOR THE LATEST REVISION.